



50 SERIES

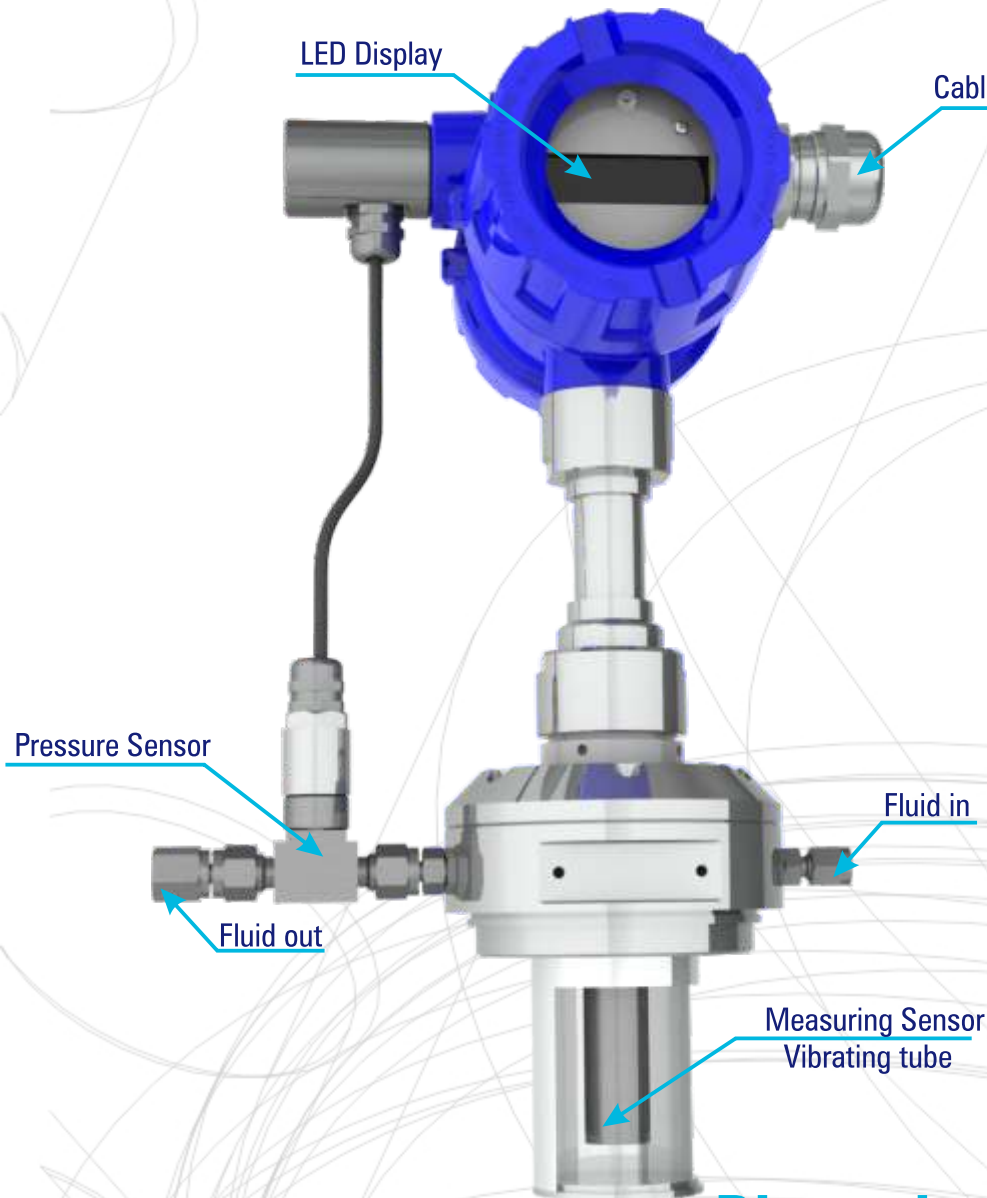


SPECIFIC GRAVITY ANALYZER

DC-54 SG

IN PROCESS TO EXCELLENCE

DC-54 SG Overview



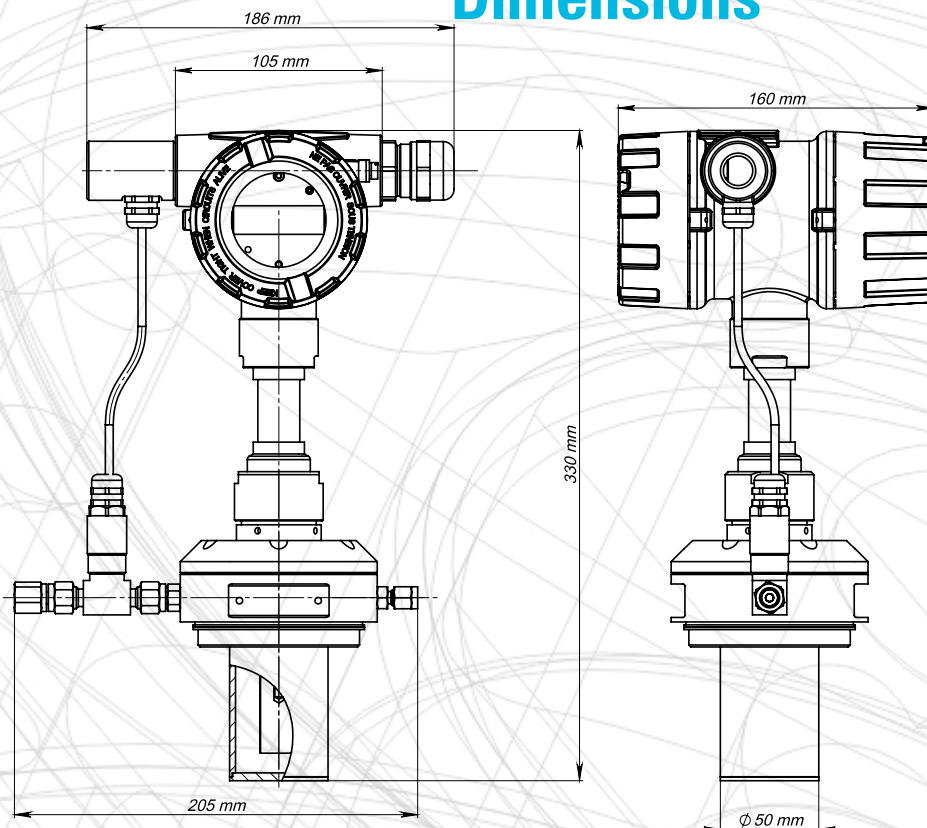
Key application

DC-54 Specific Gravity Analyzer is designed for accurate, continuous monitoring of the technological process. High-accuracy Specific Gravity data for natural gas mixtures are required in entire range of pressure, temperature and compositions encountered in custody transfer.

Operating principle

The gas passed over the cylinder tube resonance sensor vibrating at its natural frequency. The mass of gas in contact with the vibrating walls vibrates with the cylinder. Depends upon the gas density and, since increasing the vibrating mass decreases the natural frequency of vibration, the gas density is simply determined by measuring the change in sensor resonant frequency. This measurement method provides precise gas density values in seconds.

Dimensions



Specifications

Measuring range:

Specific Gravity	0.1... 3
Pressure	0...30 bar
Temperature	-40°C to +85°C (-40°F to +185°F)

Accuracy:

Specific Gravity	±0.1% of reading
Pressure	±0.15% of FS
Temperature	±0.5°C (±0.9°F)

Repeatability:

Specific Gravity	±0.02% of reading
Temperature	±0.1°C (±0.2°F)

Resolution:

Specific Gravity	0.0001
Temperature	0.01°C (0.02°F)

Operating pressure Up to 50 Bar (up to 725 psi)

Supported measuring units SG, Mol Weight

Ambient temperature -20... +60°C (-4... +140°F)

Sensor:

Type	Vibrating element (Resonance principle)
Material	Stainless steel SS 316 L, NiSpan C, Teflon

Power supply 24 VDC

Dimensions, weight

Height	330 mm (5.76 in)
Width	220 mm (5.55 in)
Length	160 mm (3.9 in)
Weight	approx.4.5 kg (approx. 9.9 lb)

Process connection 1/4" or 1/8" NPT Female

Weather rating IP68

Digital output Standard: RS485, Modbus or user choice of signals and protocols

Analog output 4-20 mA up to 2 channels and HART

Implosion protection marking ATEX II 1/2G Ex ia IIB T4;
IECEX Ex ia IIB T4 Ga /Gb

Quality Assurance ISO 9001:2015

APPLICATIONS

- Gas blending
- Synthesis gas mixtures
- Industrial gas purity
- Enhanced gas flow control
- Fiscal custody transfer
- Biogas composition
- Refinery flare gas monitoring
- Portable gas measurement

ADVANTAGES

- DIN rail mount
- Small form factor for easy installation
- ATEX Hazardous area certification
- Less than 120ml fluid sample required for measurement

SOFTWARE:



Multifunctional software allows to proceed the measurements results in use-convenient form;
Compatible for a Windows 7/8/10



For more information please visit www.lemis-usa.com



USA
LEMIS USA, Inc.
 15556 Summit Park Dr. Suite 601
 Montgomery
 TX 77356, USA
 Ph.: +1 281 465 8441
E-mail: info@lemis-usa.com

EUROPE
LEMIS PROCESS SIA
 Marupe district, Marupe,
 Robeznieku street 12, LV-2167,
 Latvia
 Ph: +371 6738 3223
E-mail: info@lemis-process.com