



PORTABLE ELECTRONIC THERMOMETER

PET-250.1

IN PROCESS TO EXCELLENCE



For Easy Distinguish:

Displays Time of measurement



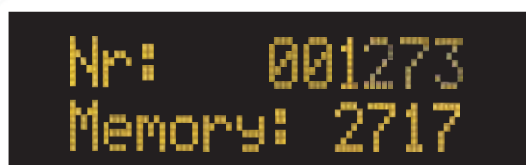
Displays Interface Level and Tank Nr



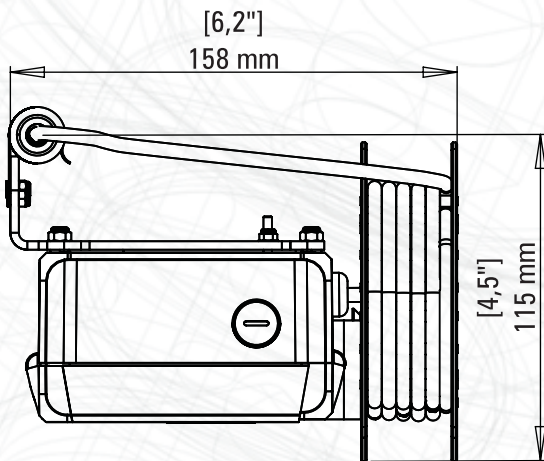
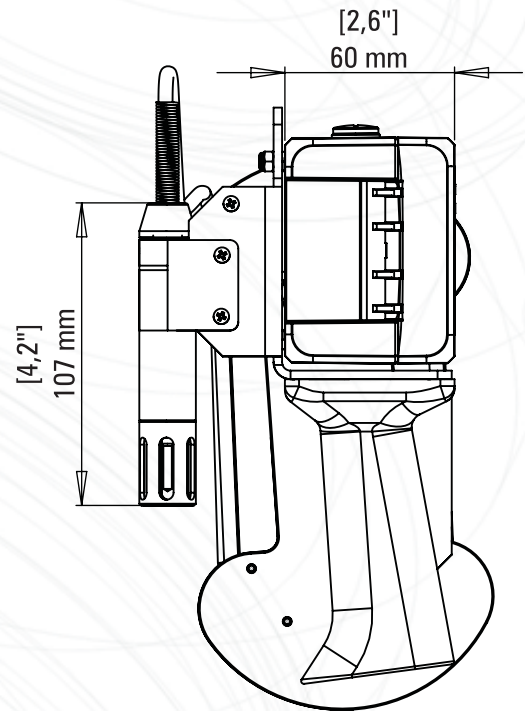
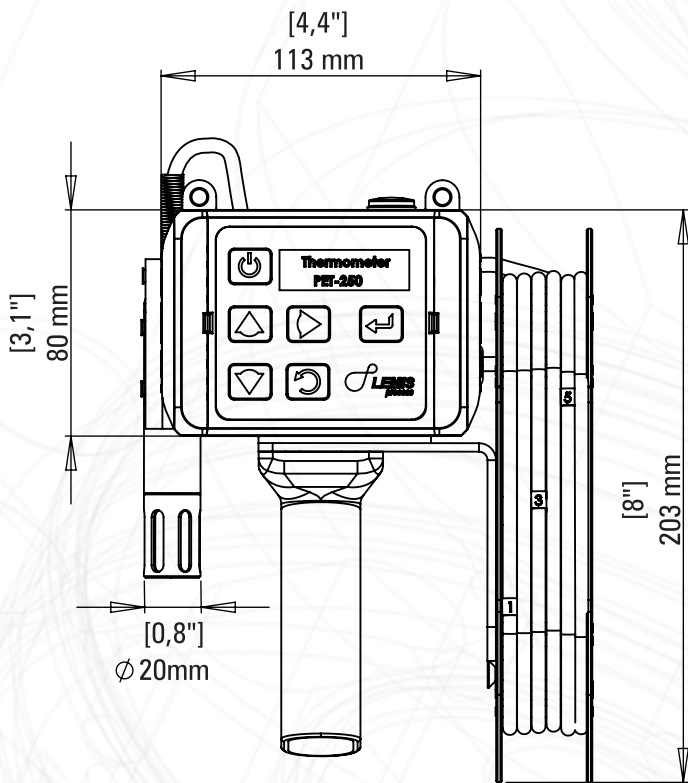
Displays Date of measurement



Displays Probe Nr and available memory



Device Dimensions



Cable replacement without recalibration

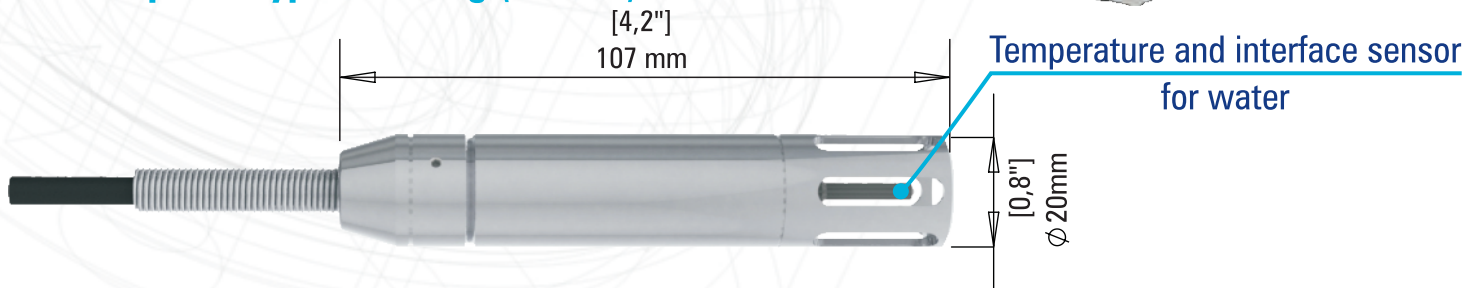
PET-250.1 use 4-cores technology, which remove necessity of cable conductivity changes from temperature compensation.

Operator can provide cable replacement without needs of new probe recalibration.

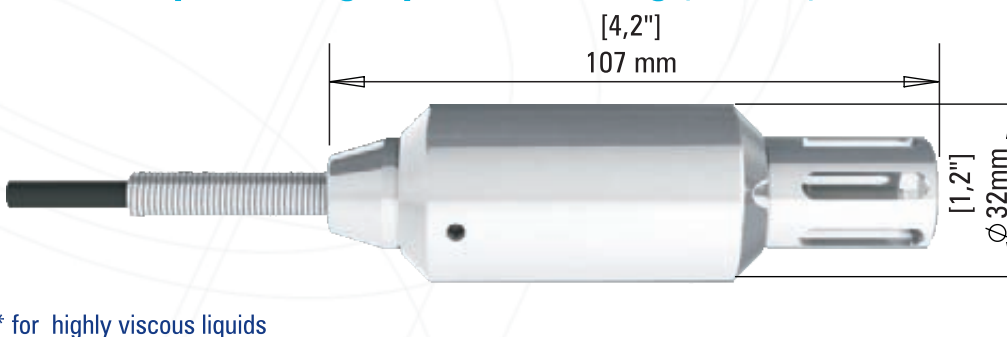
Extra weight probe - 0.22 kg (0.48 lb) *



Standard probe type - 0.13 kg (0.28 lb)



Extra or Asphalt Weight probe - 0.35 kg (0.77 lb) *



* for highly viscous liquids

Measuring range:

Probe temperature range	-40... +200°C (-40... +392°F)
Ambient temperature range	-40... +50°C (-40... +122°F)

Accuracy:

Temperature (-40 to +130°C)	±0.1°C (±0.2°F)
-----------------------------	-----------------

Repeatability (exceed API MPMS Chapter 7):

Temperature (-40°C to +50°C)	±0.05°C (±0.2°F)
------------------------------	------------------

Resolution:

Temperature	0.1°C(0.2°F) or 0.01°C (0.02°F)
Temperature scale:	°C or °F selectable

Cable

Material	FEP Teflon jacket or PTFE
Cable length	6m /20 ft or 15m /50 ft
Markers	every 2,5 ft in imperial measurement system every 1 m in metric measurement system

Sensor:

Temperature sensor	PT-1000 element Class A
Material	Stainless steel SS 304

Electronic box:

Material	Antistatic Polyamide base
Power supply	NiMH 3.6V-2500 mAh rechargeable battery
Operating time without charging	Appr. 40 hours

Dimensions:

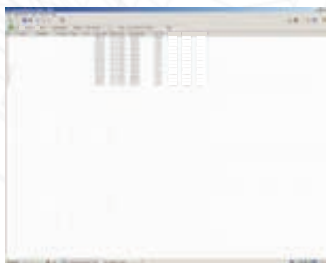
Controller	203 x 158 x115 mm (8.0 x 6.2 x 4.5")
Probe	107 x ø20 mm (4.2 x ø0.8")

Intrinsically safe:

Controller	ATEX II (2G) EEx ib [ia] IIB T4
Probe	ATEX II 1G EEx ia IIB T4
Weather rating	IP 67
Data handling	OLED Display (2x12) with backlight Local memory up to 3000 results
Data Transfer	Built-in Bluetooth

*** Option**

Able to download the measurements to PC;
Multifunctional software allows to proceed the
measurements results in user-convenient form;
Compatible for a Windows Vista/7/8/10.*



Immediate printout of the measurements
by bluetooth;
No need for PC.*



Delivered in compact carrying case

**Certifications:**

ATEX II (2G) EEx ib [ia] IIB T4
ATEX II 1G EEx ia IIB T4

For more information please visit www.lemis-process.com



USA
LEMIS USA, Inc.
15556 Summit Park Dr. Suite 601
Montgomery
TX 77356, USA
Ph.: +1 281 465 8441

EUROPE
AS LEMIS Baltic
26 Ganibu dambis
Riga, LV-1005
Latvia, EU
Ph.: +371 6738 3223
Fax: +371 6738 3270

INDIA
LEMIS India PVT LTD
Haware Infotech Park
Office No.2004, Plot No. 39/3
Sector 30A, Vashi, Navi Mumbai. 400703, INDIA
Ph.: +91 22 6721 5655
Fax: +91 22 6794 2666

E-mail: info@lemis-process.com