



VORTEX FLOWMETER

FOR NATURAL GASES, OTHER GASES, LIQUIDS AND SOLUTIONS

Advantages

- Wide dynamic range
- Hazardous area approvals
- Rigorous factory calibration and testing
- High accuracy
- Complete automation software package
- No moving parts
- Easy installation and maintenance free

Applications

- Flow and volume measurements
- Fiscal control
- Petroleum industry
- Filling stations

IN PROCESS TO EXCELLENCE

Specifications

| | |
|---------------------------|--|
| Type of products | Gases, liquids |
| Process temperature range | -40...+85°C (-40°...+185°F) |
| Pressure range | Up to 25 MPa |
| Pipeline diameter | 25...300 mm (1...12") |
| Accuracy for liquids | ±0.5% |
| Accuracy for gases | Up to 1.0% |
| Output | 1000 Hz; 4-20 mA; RS485 |
| Ex marking | ATEX II 1/2G Ex ia IIB T4; IECEx Ex ia IIB T4 Ga /Gb |
| Power supply | 110-260V AC; 10-30V DC |
| Ambient temperature range | -40...+85°C (-40°...+185°F) |
| Weather rating | IP65 |

Flow ranges

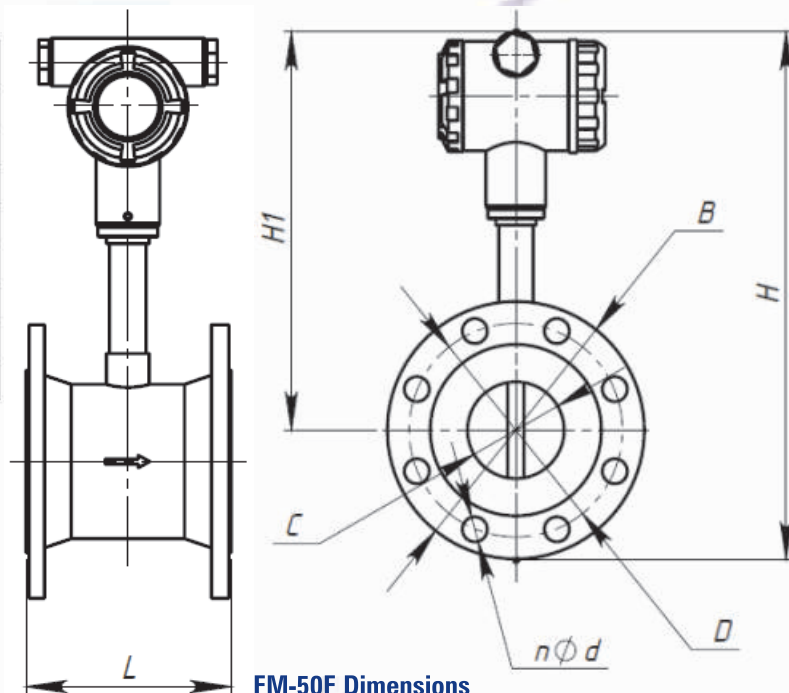
| Diameter, mm (") | Liquids, m ³ /h (ft ³ /h) | Gases, m ³ /h (ft ³ /h) |
|------------------|---|---|
| 25 (1) | 0.4 - 16 (14 - 565) | 3.5 - 120 (124 - 4 240) |
| 50 (2) | 1.4 - 64 (49 - 2 260) | 14 - 480 (500 - 16 940) |
| 80 (3) | 4 - 160 (140 - 5 650) | 36 - 1 230 (1 270 - 43 420) |
| 100 (4) | 6 - 250 (210 - 8 830) | 60 - 1 920 (2 120 - 67 780) |
| 150 (6) | 14 - 575 (500 - 20 300) | 130 - 4 325 (4 600 - 152 700) |
| 200 (8) | 26 - 1 060 (920 - 37 420) | 235 - 8 000 (8 300 - 282 400) |
| 250 (10) | 42 - 1 700 (1 480 - 60 000) | 380 - 12 900 (13 400 - 455 400) |
| 300 (12) | 60 - 2 460 (2 120 - 86 800) | 550 - 18 600 (19 415 - 656 600) |

An accurate calibration

Calibration of **LEMIS process** FM-50F meters is performed in-house according ISO 9001:2008 quality assurance program and by using calibration materials that are traceable to national standards. In-house calibration and testing is performed with rigorous quality protocol for every standard model of the sensor.

LEMIS process installation packs allow simple, switch-and-go field installation. When ordered with **LEMIS process** installation pack, the sensor has mounted at factory, tested and calibrated already fitted assuring best performance and eliminating the need for in-situ calibration for most of applications.

| Version | L mm(in) | C mm(in) | H mm(in) | H1mm(in) | d mm(in) | n | Mass kg |
|----------|------------|------------|------------|------------|----------|----|---------|
| 025 (1") | 157(6,1") | 25(1") | 373(14,9") | 315(12,4") | 14 | 4 | 11 |
| 050 (2") | 167(6,5") | 50(2") | 400(15,7") | 320(12,6") | 18 | 4 | 18 |
| 080 (3") | 196(7,7") | 80(3") | 428(16,8") | 330(13") | 18 | 4 | 29 |
| 100 (4") | 206(8,1") | 100(4") | 470(18,5") | 355(14") | 18 | 8 | 41 |
| 150 (6") | 300(11,8") | 150(6") | 510(20") | 365(14,3") | 23 | 8 | 24 |
| 200 (8") | 320(12,6") | 204(8") | 573(22,5") | 405(16") | 23 | 12 | 31 |
| 250(10") | 320(12,6") | 259(10,2") | 628(24,7") | 425(16,7") | 25 | 12 | 60 |
| 300(12") | 320(12,6") | 311(12,2") | 665(26,2") | 435(17,1") | 25 | 12 | 80 |



FM-50F Dimensions

For more information please visit www.lemis-process.com



USA
LEMIS USA, Inc.
 15556 Summit Park Dr. Suite 601
 Montgomery
 TX 77356, USA
 Ph.: +1 281 465 8441

EUROPE
AS LEMIS Baltic
 26 Ganibu dambis
 Riga, LV-1005
 Latvia, EU
 Ph.: +371 6738 3223
 Fax: +371 6738 3270

INDIA
LEMIS India PVT LTD
 504, Bhumiraj Costarica, 5th floor
 Plot 1&2, Sector 18, Sanpada
 Navi Mumbai-400705, INDIA
 Ph.: +91 22 6721 5655
 Fax: +91 22 6794 2666

E-mail: info@lemis-process.com